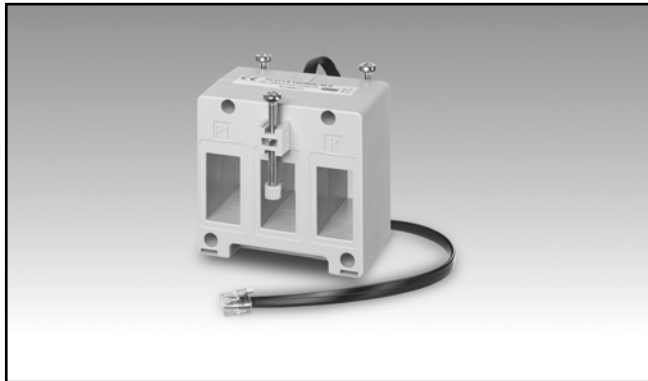


# Energy Management

## 3-phase current transformers

### Type TCD1X

CARLO GAVAZZI



- 3-phase current transformer compatible to EM270-72D energy meter
- Primary current 160 A
- Hole size 15.5x25 mm
- Hole centres 25 mm
- Auto-detection of the primary current rated value by the EM270-72D energy meter
- Calibration parameters stored in internal EEPROM
- For bus-bar, wall and DIN-rail mounting with included accessories
- Umbilical connection to EM270-72D energy meter through RJ11

### Product description

Triple solid core current transformer to be used in combination with EM270-72D energy meter. Equipped with an RJ11 wire for a very fast installation. The energy meter automatically reads from TCD its primary current rated value, saving time for the user set-up, and the rel-

evant calibration parameters for a more accurate measurement. With hole centres compatible with the circuit breaker bus-bars, it can be mounted directly on the bars themselves, or wall/DIN-rail mounted using the relevant accessories.

### How to order **TCD1X 160 80CM X**

Model \_\_\_\_\_  
 Primary current \_\_\_\_\_  
 Cable length \_\_\_\_\_  
 Option \_\_\_\_\_

### Type Selection

Primary current	Cable length	Option
<b>160:</b> 160A primary current input	<b>80 CM:</b> 80cm <b>150 CM:</b> 150cm <b>200 CM:</b> 200cm	<b>X:</b> none

### Specification

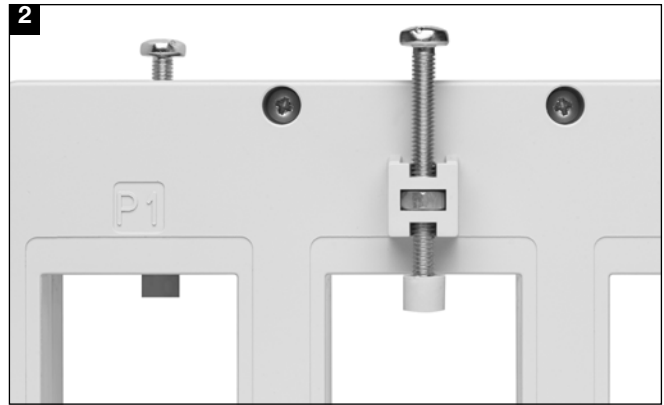
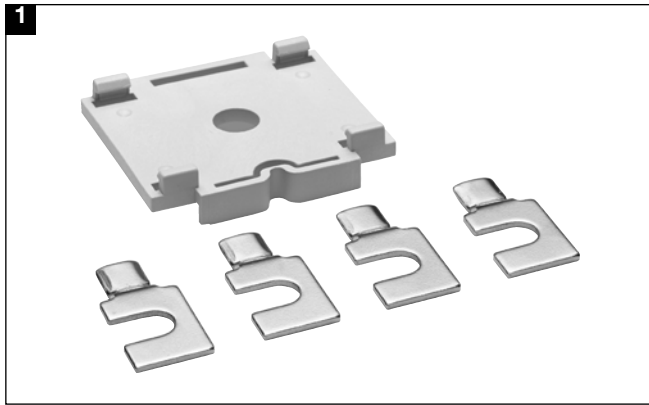
Operating frequency	45 to 65 Hz	Extended current rating	120 %
Max. system voltage	0.72 kV		
Rated insulation level	4 kVAC / 1 min		
Short time current rating	Typical $100 I_n / 1s$		
$I_{th}$	$2.5 I_{th}$		
$I_{dyn}$			

### General specification

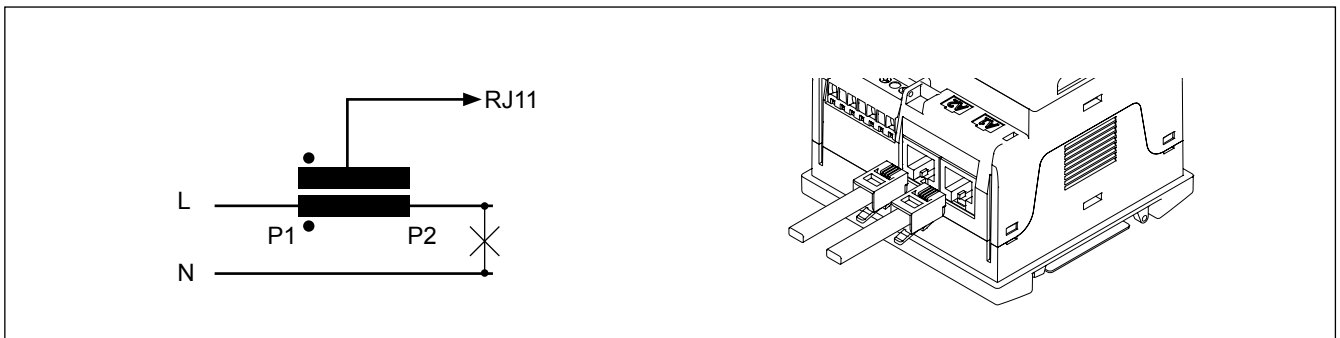
Standards	Equivalent to EN60044-1	Storage temperature	-30°C to +70°C (-22°F to 158°F) (R.H. < 90% non-condensing @ 40°C)
Housing	Noryl, self-extinguishing: UL 94 V-0	Connections	RJ11
Mounting	DIN-rail, bus-bar and panel mounting	Protection degree	IP20
Approvals	CE	Bus-bar size	Max 15.5x25 mm
Standard accessories	Two panel mounting fixing clips. One DIN rail adapter. Three bus-bar fixing screws	Hole centres	25 mm
Working temperature	-25°C to +55°C (-13°F to 131°F) (R.H. < 90% non-condensing @ 40°C)	Weight	290 g

## Benefits

- Easy and quick mounting either on a panel or on a DIN-rail (see figure 1).
- Multiple screws provided with insulation caps to grant a strong and reliable fixing of the current transformer to the bus-bar (see figure 2).



## Wiring diagrams



## Dimensions

