



# Iskra ME382 Summary Sheet

## Summary

Introducing the Iskra ME382 with MeterPay, The Smart Solution to Secondary PrePayment. MeterPay offers landlords and building managers an online solution to prepayment, enabling easy management of all of their meters in one secure online portal. Payments are made online or by phone, with funds being distributed directly to the building owner. Benefits to landlords include:

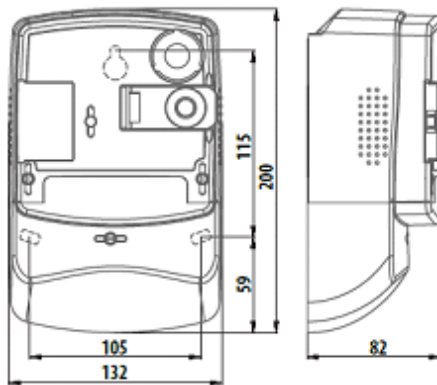
- The most secure prepayment solution available.
- Simple remote meter management.
- No more coin collection.
- Nore more card distribution.

Benefits to tennants include:

- Online or telephone payment option.
- Automatic recharge function.
- Usage data including consumption charts.

<b>Meter Type</b>	Single Phase
<b>Fitting Condition</b>	Wall Mounted
<b>Connection Type</b>	New
<b>Max Current (amps)</b>	Direct Connect
<b>MID Approved</b>	100
<b>Smart Tariffs</b>	Yes
<b>Import / Export</b>	Yes
<b>Output Options</b>	Multiple
<b>Country of manufacture</b>	Import
<b>Delivery</b>	M-Bus
	Slovenia
	Next Day

## Dimensions



## Wiring Diagram

