

# Energy Management Energy Analyzer Type EM210

CARLO GAVAZZI



- Easy connections management
- Detachable display
- Multi-use housing: for both DIN-rail and panel mounting applications
- Class B (kWh) according to EN50470-3
- Class 1 (kWh) according to EN62053-21
- Class 2 (kvarh) according to EN62053-23
- Accuracy  $\pm 0.5$  RDG (current/voltage)
- Energy meter
- Instantaneous variables readout: 3 DGT
- Energies readout: 7 DGT
- System variables: W, var, PF, Hz, Phase-sequence.
- Single phase variables: VLL, VLN, A, PF, THD (A,V, up to the 15th harmonic)
- Energy measurements: total kWh (imported and exported); kvarh
- TRMS measurements of distorted sine waves (voltages/currents)
- Self power supply
- Dimensions: 4-DIN modules and 72x72mm
- Protection degree (front): IP50
- Application adaptable display and programming procedure (Easyprog function)

## Product description

---

Three-phase energy meter with removable front LCD display unit. The same unit can be used either as a DIN-rail mounting or a panel mounting energy meter. This general purpose three-phase energy meter is suitable for both active and reactive energy metering for cost allocation but also for main

electrical parameter measurement and retransmission (transducer function). Possibility to display also exported active energy (e.g. in case of regenerated energy in lifts or similar applications) harmonic distortion information are available for the voltages and the currents, up to the 15th harmonic. An hourcounter

meter is available to link the energy consumption to the relevant working hours and a hourcounter to link the exported energy to production hours. Housing for DIN-rail mounting with IP50 (front) protection degree. Current measurements carried out by means of external current transformers and volt-

age measurements carried out either by means of direct connection or by means of potential transformers. EM210 is provided, as standard, with a pulsating output for active energy retransmission. In addition a 2-wire RS485 communication port is available as an option.

## How to order

**EM210 72D AV5 3 X O X X**



## Type Selection

Range code	System	Power supply	Options
<b>AV5:</b> 230/400VLL AC, 5(6) A or 1(6)A (*) (CT connection)	<b>3:</b> balanced and unbalanced load: 3-phase, 4-wire; 3-phase, 3-wire (without N connection); 2-phase, 3-wire; 1-phase, 2-wire	<b>X:</b> Self power supply from 40V to 480VAC LL, 45 to 65 Hz (connection VL2-VL3)	<b>X:</b> none
<b>AV6:</b> 120/230VLL AC 5(6)A or 1(6)A (*) (VT/PT and CT connections)			
<b>MV5:</b> 230/400VLL AC, 0.333V (current sensor connection)			
<b>MV6:</b> 120/230VLL AC, 0.333V (VT/PT and current sensor connection)			

Output 1
<b>O:</b> Single static output (opto-mosfet)

Output 2
<b>X:</b> None
<b>S:</b> RS485 port

(\*) the range 1(6)A is available but not in compliance with the EN50470-3 standard.

## Input specification

<b>Rated Input</b>	System type: 3	<b>Display refresh time</b>	1 second
Current type	Not isolated (shunt inputs). Note: the external current transformers can be connected to earth individually.	<b>Display</b>	2 lines 1st line: 7-DGT or 3-DGT+3-DGT 2nd line: 3-DGT LCD, h 7mm.
Current range AV5, AV6	In: primary current corresponding to 5 A secondary output. Imax: 1.2 In (6A secondary). Note: The "1(6 A)" range is available but not in compliance with the EN50470-3 standard.	Type	3-DGT.
Current range MV5, MV6	In: primary current corresponding to 0.333 V secondary output. Imax: 1.2 In (0.4V secondary).	Instantaneous variables read-out	Total: 5+2, 6+1 or 7DGT
Voltage (direct or by VT/PT)	AV5, MV5: 230/400VLL; 6A; Un: 160 to 260VLN (277 to 450VLL). AV6, MV6: 120/230VLL; 6A; Un: 40 to 144VLN (70 to 250VLL).	Energies	EEE indication when the value being measured is exceeding the "Continuous inputs overload" (maximum measurement capacity)
<b>Accuracy</b> (Display + RS485) (@25°C ±5°C, R.H. ≤60%, 50Hz)	In: see below, Un: see below	Overload status	Max. instantaneous variables: 999; energies: 9 999 999. Min. instantaneous variables: 0; energies 0.00.
Current AV5, AV6 models	From 0.002In to 0.2In: ±(0.5% RDG +3DGT). From 0.2In to Imax: ±(0.5% RDG +1DGT).	Max. and Min. indication	
Current MV5, MV6 models	From 0.002In to 0.2In: ±(1% RDG +3DGT). From 0.2In to Imax: ±(0.5% RDG +1DGT).	<b>LEDs</b>	
Phase-neutral voltage	In the range Un: ±(0,5% RDG +1DGT).	Red LED (Energy consumption) AV5, AV6	0.001 kWh by pulse if CT ratio x VT ratio is <7; 0.01 kWh by pulse if CT ratio x VT ratio is ≥ 7.0 < 70.0; 0.1 kWh by pulse if CT ratio x VT ratio is ≥ 70.0 < 700.0; 1 kWh by pulse if CT ratio x VT ratio is ≥ 700.0.
Phase-phase voltage	In the range Un: ±(1% RDG +1DGT).	Red LED (Energy consumption) MV5, MV6	0.001kWh/pulse if VT ratio by In < 35.0 0.01kWh/pulse if VT ratio by In ≥35.0 and <350.0 0.1kWh/pulse if VT ratio by In ≥ 350.0 and <3500.0 1kWh/pulse if VT ratio by In ≥ 3500.0 1kWh/pulse if TV ratio by In is ≥ 3500.0
Frequency	Range: 45 to 65Hz; resolution: ±1Hz	Max frequency	16Hz, according to EN50470-3. Green LED (on the terminal blocks side) for power on (steady) and communication status: RX-TX (in case of RS485 option only) blinking.
Active power	±(1%RDG +2DGT).	<b>Measurements</b>	See "List of the variables that can be connected to:"
Power Factor	±[0.001+1%(1.000 - "PF RDG")].	Method	TRMS measurements of distorted wave forms.
Reactive power	±(2%RDG +2DGT).	Coupling type	By means of external CT's.
Active energy	class B according to EN50470-1-3; class 1 according to EN62053-21.	<b>Crest factor</b>	AV5, AV6: ≤3 (15A max. peak). MV5, MV6: 1.414 @ Imax (Imax=1.2 In = 0.4V).
Reactive energy	class 2 according to EN62053-23. Start up current: 10mA.		
<b>Energy additional errors</b>			
Influence quantities	According to EN62053-21, EN50470-1-3, EN62053-23		
<b>Temperature drift</b>	≤200ppm/°C.		
<b>Sampling rate</b>	1600 samples/s @ 50Hz, 1900 samples/s @ 60Hz		

## Input specification (cont.)

<b>Current Overloads</b> Continuous For 500ms	In any case: $V_{peak\ max} = 0.565V$ . 1.2In, @ 50Hz. 20In, @ 50Hz.	Self-power supply	Power Consumption: < 2VA 45 to 65 Hz.
<b>Voltage Overloads</b> Continuous For 500ms	1.2 Un 2 Un	<b>Frequency</b> <b>Keypad</b>	Two push buttons for variable selection and programming of the instrument working parameters.
<b>Current input impedance</b> AV5, AV6 MV5, MV6	< 0.3VA >100 k $\Omega$		
<b>Voltage input impedance</b>			

## Output specifications

<b>Pulse output</b> Number of outputs Type	1 Programmable from 0.01 to 9.99 kWh per pulses. Output connectable to the energy meter (+kWh)	Connections	2-wire max. distance 1000m, termination directly on the instrument.
Pulse duration	TOFF $\geq$ 120ms, according to EN62052-31. TON selectable (30 ms or 100 ms) according to EN62053-31	Addresses	247, selectable by means of the front keypad
Output Load	Static: opto-mosfet. VON 2.5 VAC/DC, 70 mA max. VOFF 260 VAC/DC max.	Protocol Data (bidirectional) Dynamic (reading only)	MODBUS/JBUS (RTU)
Insulation	By means of optocouplers, 4000 VRMS output to measuring inputs.	Static (reading and writing)	System and phase variables: see table "List of variables..."
<b>RS485</b> Type	Multidrop, bidirectional (static and dynamic variables)	Data format	All the configuration parameters. 1 start bit, 8 data bit, and even parity, 1 or 2 stop bit.
		Baud-rate	9.6, 19.2, 38.4, 57.6, 115.2 kbps.
		Driver input capability	1/5 unit load. Maximum 160 transceiver on the same bus.
		Insulation	By means of optocouplers, 4000 VRMS output to measuring input.

## Software functions

<b>Password</b>	Numeric code of max. 3 DGT; 2 protection levels of the programming data: 1st level 2nd level Programming lock	<b>Transformer ratio</b> VT (PT) ratio  CT (AV5, AV6)	1.0 to 99.9 / 100 to 999 / 1.00k to 6.00k 1.0 to 99.9 / 100 to 999 / 1.00k to 9.99k / 10.00k to 60.00k The max CTxVT product for AV5 models is 1187 (X option), for AV6 models is 2421 (X option). Primary current 10 to 10000.
<b>System selection</b>	System 3-Ph.n unbalanced load  System 3-Ph.1 balanced load  System 2-Ph System 1-Ph	<b>Displaying</b>  <b>Reset</b>  <b>Easy connection function</b>	Up to 3 variables per page. 6 different set of variables available. By means of the front keypad: total energies (kWh, kvarh). Wrong phase detection and displaying. For all the display selections (except "D" and "E") the current, power and energy measurement are independent on the current direction.
	3-phase (4-wire) 3-phase (3-wire) without neutral connection. • 3-phase (3-wire) one current and 3-phase to phase voltage measurements. • 3-phase (4-wire) one current and 3-phase to neutral voltage measurements. 2-phase (3-wire) 1-phase (2-wire)		

## General specifications

<b>Operating temperature</b>	-25°C to +55°C (-13°F to 131°F) (R.H. from 0 to 90% non-condensing) according to EN62053-21 and EN62053-23.	<b>Surge</b>	80Mhz On current and voltage measuring inputs circuit: 6kV;
<b>Storage temperature</b>	-30°C to +70°C (-22°F to 158°F) (R.H. < 90% non-condensing) according to EN62053-21 and EN62053-23)	<b>Radio frequency suppression</b>	According to CISPR 22
<b>Overvoltage category</b>	Cat. III	<b>Standard compliance</b>	
<b>Insulation (for 1 minute)</b>	4000 VRMS between measuring inputs and digital output.	<b>Safety</b>	EC60664, IEC61010-1 EN60664, EN61010-1 EN62052-11
<b>Dielectric strength</b>	4000VAC RMS for 1 minute	<b>Metrology</b>	EN62053-21, EN62053-23, EN50470-3
<b>Noise rejection CMRR</b>	100 dB, 48 to 62 Hz	<b>Pulse output Approvals</b>	DIN43864, IEC62053-31 CE, cULus listed (only AV)
<b>EMC</b>	According to EN62052-11 Electrostatic discharges Immunity to irradiated electromagnetic fields	<b>Connections</b>	Screw type 2.4 x 3.5 mm Min./Max. screws tightening torque: 0.4 Nm / 0.8 Nm
<b>Burst</b>	Test with current: 10V/m from 80 to 2000MHz Test without any current: 30V/m from 80 to 2000MHz;	<b>Housing</b>	
<b>Immunity to conducted disturbances</b>	On current and voltage measuring inputs circuit: 4kV  10V/m from 150kHz to	<b>Dimensions (WxHxD)</b>	72 x 72 x 65 mm
		<b>Material</b>	Noryl, PA66 self-extinguishing: UL 94 V-0 Panel and DIN-rail
		<b>Mounting</b>	
		<b>Protection degree</b>	
		<b>Front</b>	IP50
		<b>Screw terminals</b>	IP20
		<b>Weight</b>	Approx. 400g (packing included)



## Power supply specifications

Self power supply

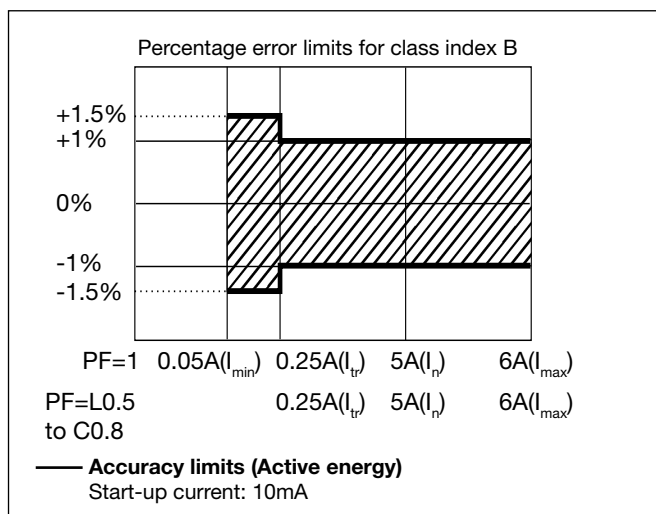
40 to 480VAC (45-65Hz).  
Across input "VL2" and  
"VL3"

Power consumption

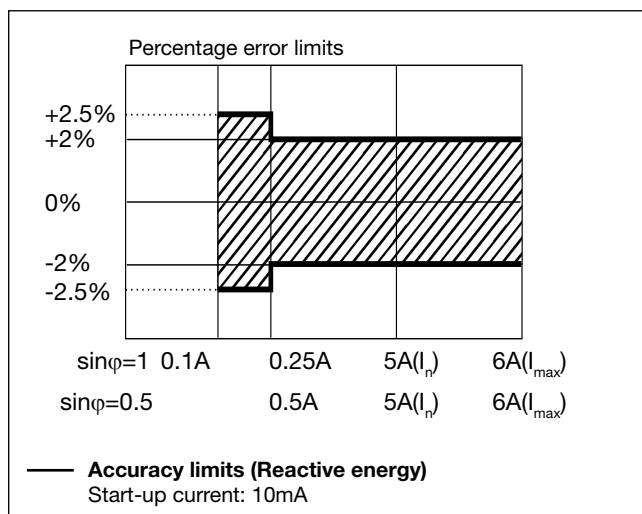
≤2VA/1W

## Accuracy AV5, AV6 (According to EN50470-3 and EN62053-23)

kWh, accuracy (RDG) depending on the current

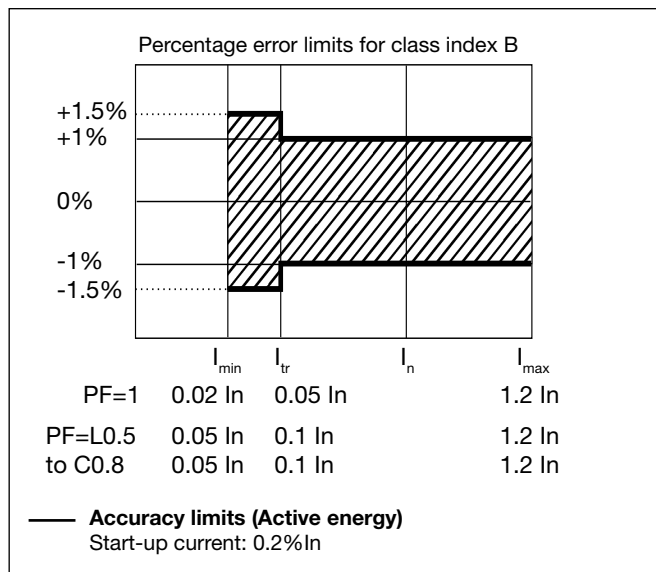


kvarh, accuracy (RDG) depending on the current

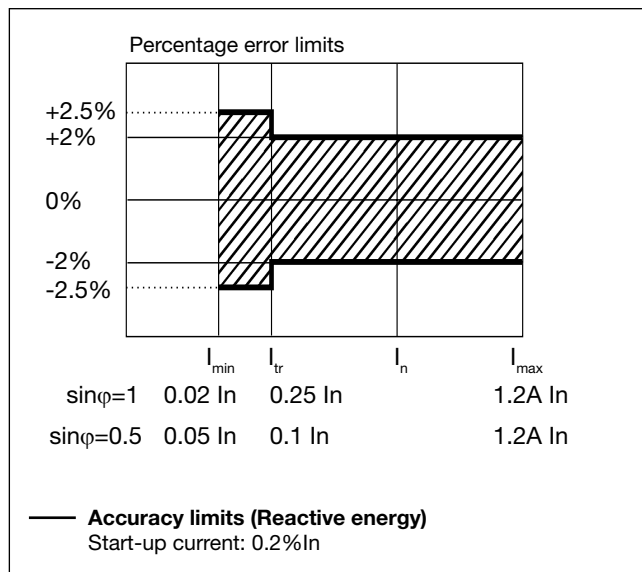


## Accuracy MV5, MV6 (According to EN50470-3 and EN62053-23)

kWh, accuracy (RDG) depending on the current



kvarh, accuracy (RDG) depending on the current



## Insulation between inputs and outputs

	Measuring input	Opto-Mosfet output	Communication port	Self power supply
Measuring inputs	-	4kV	4kV	0kV
Opto-Mosfet output	4kV	-	-	4kV
Communication port	4kV	-	-	4kV
Self power supply	0kV	4kV	4kV	-

**NOTE:** all the models have, mandatorily, to be connected to external current transformers.

## Used calculation formulas

### Phase variables

Instantaneous effective voltage

$$V_{1N} = \sqrt{\frac{1}{n} \cdot \sum_1^n (V_{1N})_i^2}$$

Instantaneous active power

$$W_1 = \frac{1}{n} \cdot \sum_1^n (V_{1N})_i \cdot (A_1)_i$$

Instantaneous power factor

$$\cos\varphi_1 = \frac{W_1}{VA_1}$$

Instantaneous effective current

$$A_1 = \sqrt{\frac{1}{n} \cdot \sum_1^n (A_1)_i^2}$$

Instantaneous apparent power

$$VA_1 = V_{1N} \cdot A_1$$

Instantaneous reactive power

$$\text{var}_1 = \sqrt{(VA_1)^2 - (W_1)^2}$$

### System variables

Equivalent three-phase voltage

$$V_\Sigma = \frac{V_1 + V_2 + V_3}{3} \cdot \sqrt{3}$$

Voltage asymmetry

Three-phase active power

$$W_\Sigma = W_1 + W_2 + W_3$$

Three-phase apparent power

$$VA_\Sigma = \sqrt{W_\Sigma^2 + \text{var}_\Sigma^2}$$

Three-phase power factor

$$\cos\varphi_\Sigma = \frac{W_\Sigma}{VA_\Sigma}$$

Energy metering

$$k \text{ var hi} = \int_{t_1}^{t_2} Qi(t) dt \cong \Delta t \sum_{n1}^{n2} Qnj$$

$$kWhi = \int_{t_1}^{t_2} Pi(t) dt \cong \Delta t \sum_{n1}^{n2} Pnj$$

Where:

**i**= considered phase (L1, L2 or L3)  
**P**= active power; **Q**= reactive power;  
**t1, t2**=starting and ending time points of consumption recording; **n**= time unit;  $\Delta t$ = time interval between two successive power consumptions;  
**n1, n2**= starting and ending discrete time points of consumption recording

## List of the variables that can be connected to:

- RS485 communication port
- Pulse outputs (only “energies”)

N°	Variable	1-ph. sys.	2-ph. sys.	3-ph. 4-wire balanced system	3-ph. 4-wire unbalanced system	3-ph. 3-wire balanced system	3-ph. 3-wire unbalanced system	Notes
1	kWh	x	x	x	x	x	x	Total (2)
2	kvarh	x	x	x	x	x	x	Total (3)
3	V L-N sys (1)	o	x	x	x	x	x	sys=system (Σ)
4	V L1	x	x	x	x	x	x	
5	V L2	o	x	x	x	x	x	
6	V L3	o	o	x	x	x	x	
7	V L-L sys (1)	o	x	x	x	x	x	sys=system (Σ)
8	V L1-2	o	x	x	x	x	x	
9	V L2-3	o	o	x	x	x	x	
10	V L3-1	o	o	x	x	x	x	
11	A L1	x	x	x	x	x	x	
12	A L2	o	x	x	x	x	x	
13	A L3	o	o	x	x	x	x	
14	VA sys (1)	x	x	x	x	x	x	sys=system (Σ)
15	VA L1 (1)	x	x	x	x	x	x	
16	VA L2 (1)	o	x	x	x	x	x	
17	VA L3 (1)	o	o	x	x	x	x	
18	var sys	x	x	x	x	x	x	sys=system (Σ)
19	var L1 (1)	x	x	x	x	x	x	
20	var L2 (1)	o	x	x	x	x	x	
21	var L3 (1)	o	o	x	x	x	x	
22	W sys	x	x	x	x	x	x	sys=system (Σ)
23	W L1 (1)	x	x	x	x	x	x	
24	W L2 (1)	o	x	x	x	x	x	
25	W L3 (1)	o	o	x	x	x	x	
26	PF sys	x	x	x	x	x	x	sys=system (Σ)
27	PF L1	x	x	x	x	x	x	
28	PF L2	o	x	x	x	x	x	
29	PF L3	o	o	x	x	x	x	
30	Hz	x	x	x	x	x	x	
31	Phase sequence	o	o	x	x	x	x	
32	THD VL1N	X	X	X	X	O	O	only if THD enabled
33	THD VL2N	O	X	X	X	O	O	only if THD enabled
34	THD VL3N	O	O	X	X	O	O	only if THD enabled
35	THD A L1	X	X	X	X	X	X	only if THD enabled
36	THD A L2	O	X	X	X	X	X	only if THD enabled
37	THD A L3	O	O	X	X	X	X	only if THD enabled
38	THD V L1-2	O	X	X	X	X	X	only if THD enabled
39	THD V L2-3	O	O	X	X	X	X	only if THD enabled
40	THD V L3-1	O	O	X	X	X	X	only if THD enabled
41	A n	O	X	O	X	O	O	

(x) = available

(o) = not available (zero indication on the display)

(1) = Variable available only through the serial communication port RS485

(2) = also kWh- (exported) with application E (see next table)

(3) = sum (not algebraic) of kvarh imported and exported with application F (see next table)



## Display pages

No	1st variable (1st half-line)	2nd variable (2nd half-line)	3rd variable (2nd line)	Note	Applications					
					A	B	C	D	E	F
	Phase sequence			The phase sequence triangle appears in any page only if there is a phase reverse	x	x	x	x	x	x
1	Total kWh		W sys		x	x	x	x	x	x
1b	Total kWh (-)		"NEG"	Exported active energy					+	
2	Total kvarh		kvar sys			+	+	+	+	T
3		PF sys	Hz	Indication of C, -C, L, -L depending on the quadrant		x	x	x	x	x
4	PF L1	PF L2	PF L3	Indication of C, -C, L, -L depending on the quadrant			x	x	x	x
5	A L1	A L2	A L3				x	x	x	x
6	V L1-2	V L2-3	V L3-1				x	x	x	
7	V L1	V L2	V L3				x	x		
8	"thd"	"L1"	THD VL1-N			x	x	x	x	x
9	"thd"	"L2"	THD VL2-N			x	x	x	x	x
10	"thd"	"L3"	THD VL3-N			x	x	x	x	x
11	"thd"	"L1"	THD A L1			x	x	x	x	x
12	"thd"	"L2"	THD A L2			x	x	x	x	x
13	"thd"	"L3"	THD A L3			x	x	x	x	x
14	"thd"	"L1"	THD VL1-2			x	x	x	x	x
15	"thd"	"L2"	THD VL2-3			x	x	x	x	x
16	"thd"	"L3"	THD VL3-1			x	x	x	x	x
17	"A n"		A n			x	x	x	x	x
18	"working hours"(rel. to kWh+)		h				x	x	x	x
19	"working hours"(re. to kWh-)		h-						x	

**Notes:** x = available

+ = only positive kvarh is measured (kvar sys is the algebraic sum of the phase kvar)

T = positive and negative kvarh are summed and measured in the same kvarh meter

(kvarsys is the sum of the absolute values of each phase kvar). The phase kvar are displayed with the correct sign.

## Additional available information on the display

Type	1st line	2nd line	Note
Meter information 1	Y. 2007	r.A0	Year of production and firmware release
Meter information 2	value	LEd (kWh)	KWh per pulse of the LED
Meter information 3	SYS [3P.n]	value	System type and connection type
Meter information 4	Ct rAt.	value	Current transformer ratio
Meter information 5	Ut rAt.	value	Voltage transformer ratio
Meter information 6	PuLSE (kWh)	value	Pulse output: kWh per pulse
Meter information 7	Add	value	Serial communication address
Meter information 8	value	Sn	Secondary address (M-bus protocol)

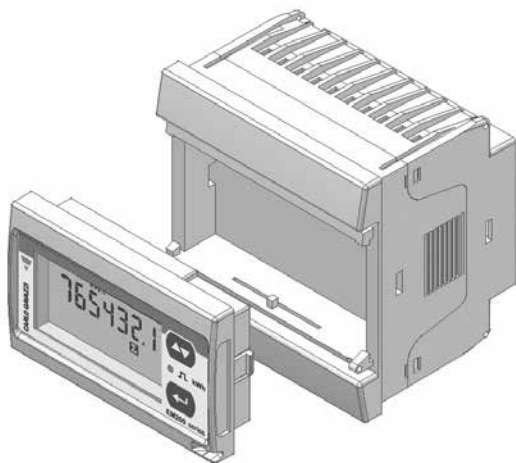
## List of selectable applications

	Description	Notes
<b>A</b>	Active energy meter	Active energy measurement with some minor parameters
<b>B</b>	Active and reactive energy meter	Active and reactive energy measurement with some minor parameters
<b>C</b>	Full set of variables	Full set of available variables can be displayed (default selection)
<b>D</b>	Full set of variables +	Full set of available variables can be displayed +
<b>E</b>	Full set of variables +	Full set of variables with exported (negative) kWh meter
<b>F</b>	Full set of variables	Full set of variables with imported and exported kWh meters

### Notes:

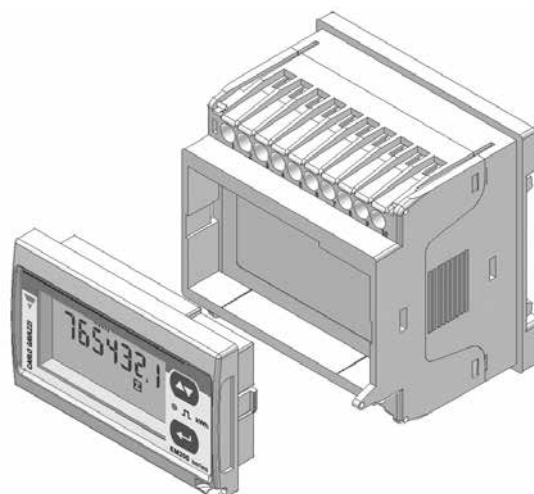
+ Only in "D" and "E" applications the actual direction of the current is considered.

## One instrument with double mounting capability

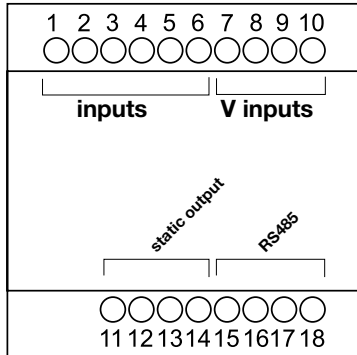


... as DIN-rail mounting meter.

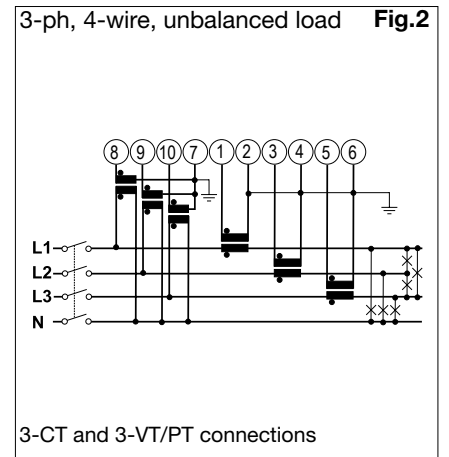
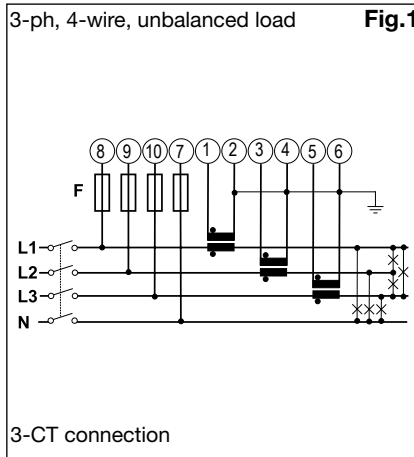
By means of the patented detachable display it is possible to configure the same instrument either as a panel mounting meter or...



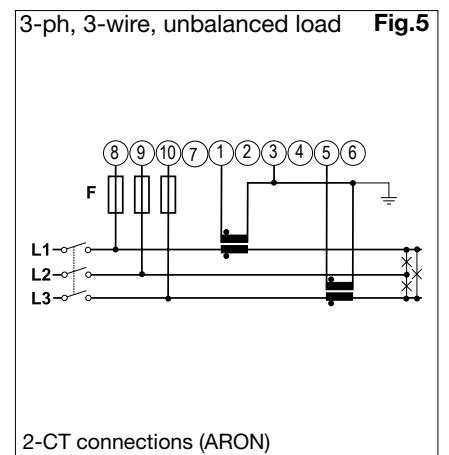
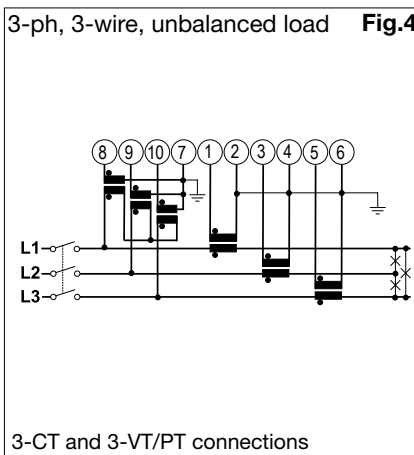
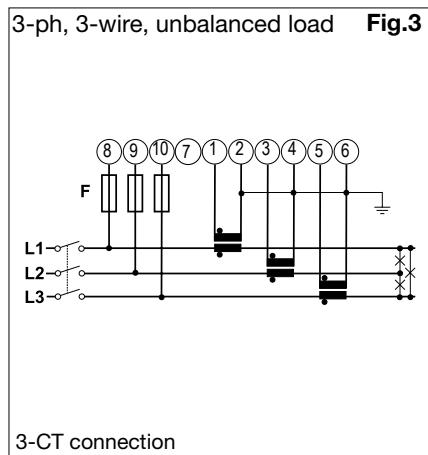
# Wiring diagrams



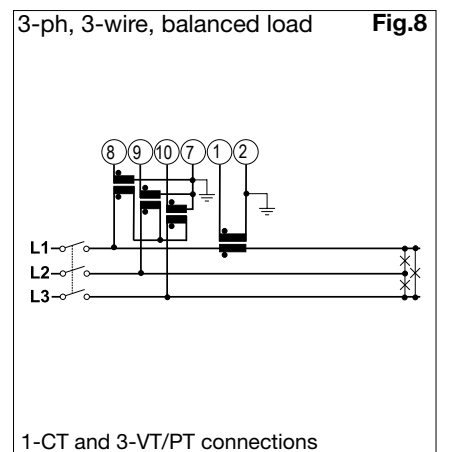
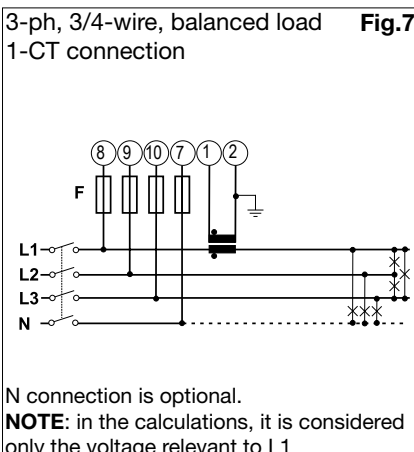
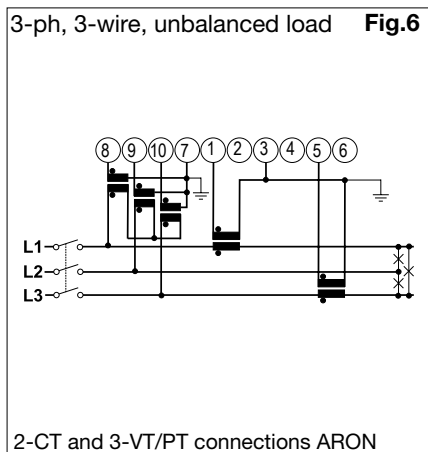
(6A) Self power supply, system type selection: 3P.n



(6A) System type selection: 3P

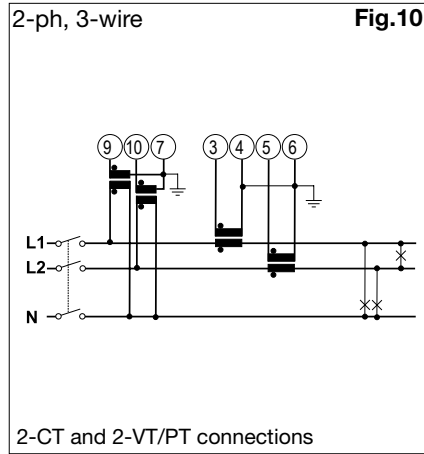
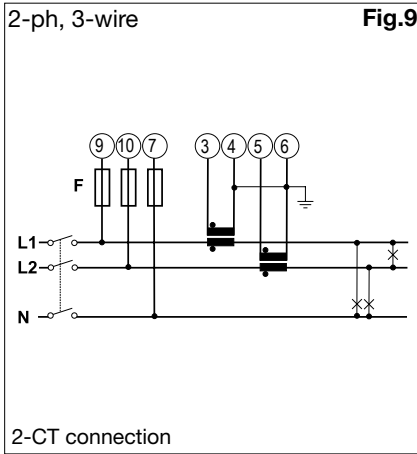


(6A) Self power supply, system type selection: 3P.1

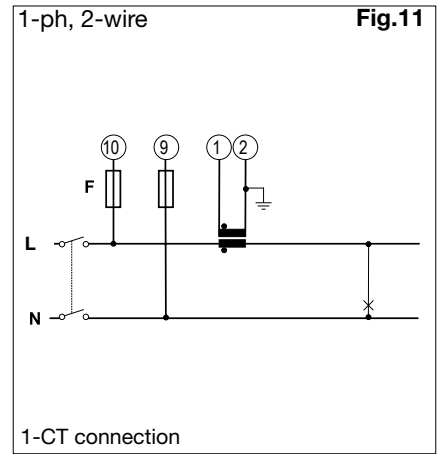


## Wiring diagrams

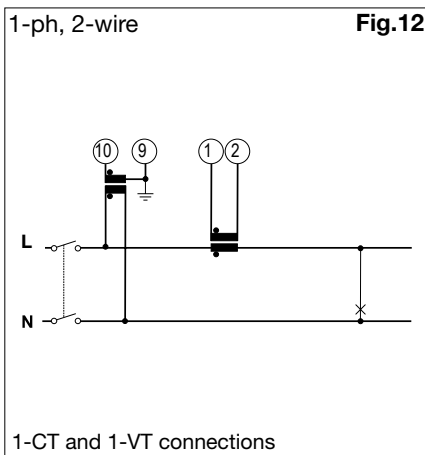
(6A) System type selection: 2P



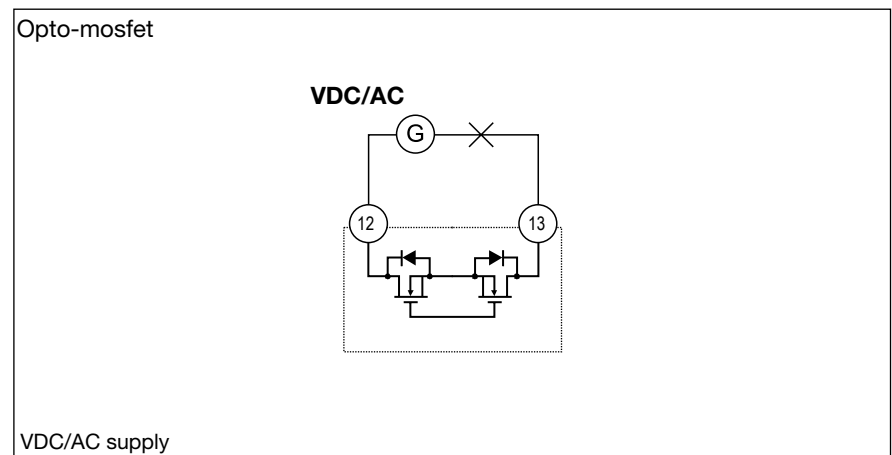
(6A) System type selection: 1P



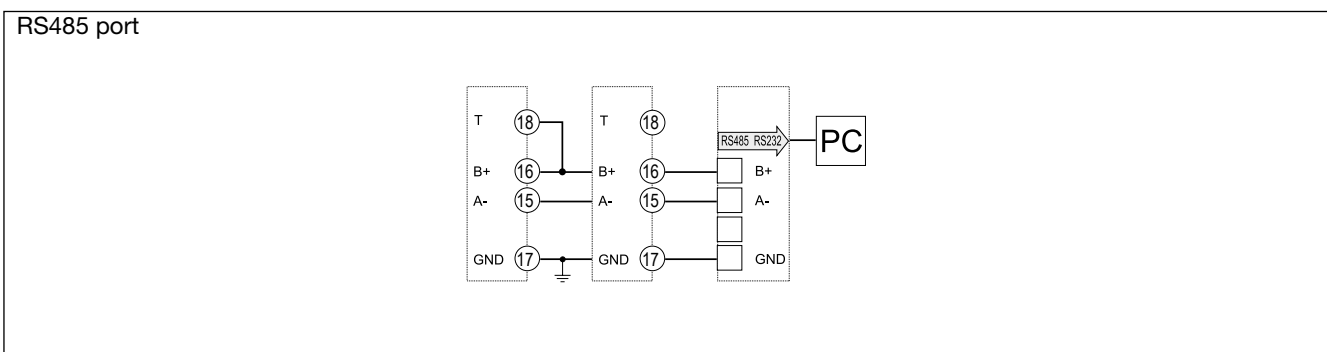
(6A) System type selection: 1P



## Static output wiring diagram

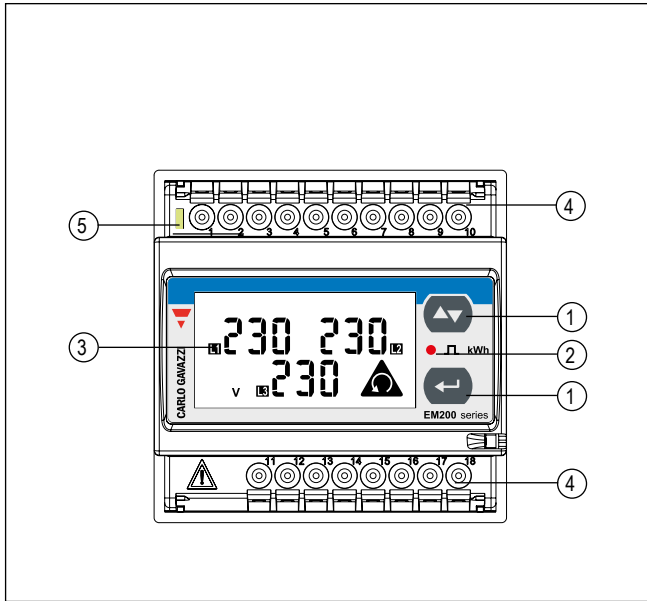


## RS485 port wiring diagram



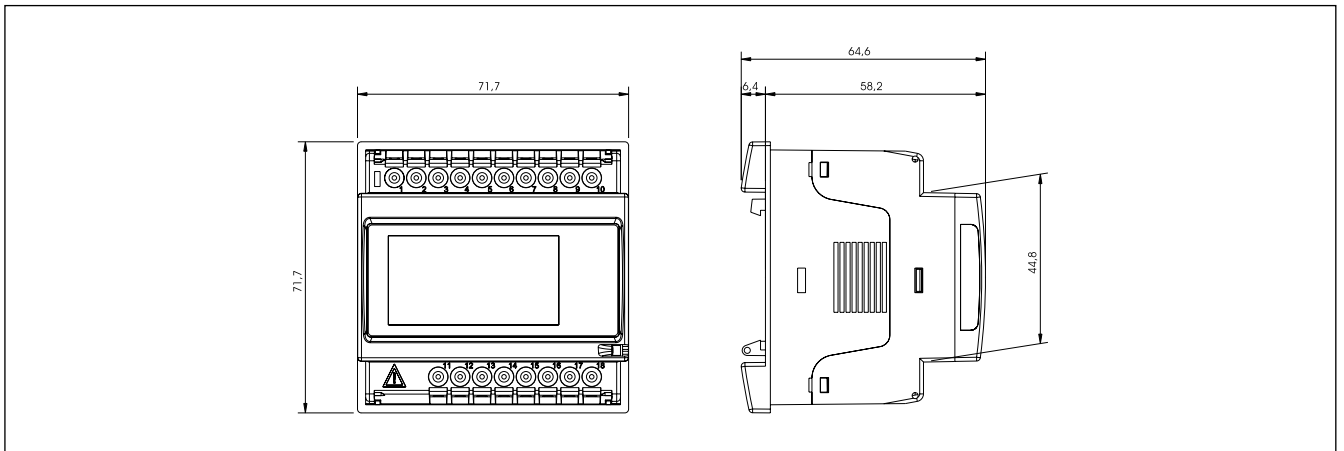
**RS485 NOTE:** additional devices provided with RS485 are connected as per the picture above. The termination of the serial output is carried out only on the last instrument of the network, by means of a jumper between (B+) and (T).

## Front panel description



1. **Keypad**  
To program the configuration parameters and scroll the variables on the display.
2. **Pulse output LED**  
Red LED blinking proportional to the energy being measured.
3. **Display**  
LCD-type with alphanumeric indications to display all the measured variables.
4. **Connections**  
Screw terminal blocks for instrument wiring.
5. **Green LED**  
Lit when power supply is available.

## Dimensions (DIN configuration)



## Dimensions and panel cut out (72x72 panel mounting configuration)

